

**BRITA PROGUARD
COFFEE -
TAILOR YOUR WATER.
PROTECT
YOUR MACHINE.**

BRITA Professional Filter Solutions

BRITA PROGUARD Coffee combines robust protection against corrosion with innovative mineralisation technology - for great water and great coffee.

 **BRITA**[®]



The perfect coffee starts with the perfect water.

High-quality water makes the difference.

Dark or light roast, Colombian or Ethiopian, espresso or ristretto: whatever you're brewing, the main ingredient - water - remains the same. But water is not simply a blend of hydrogen and oxygen. It can contain a wide range of dissolved minerals, organic substances, particles and residues from treatment and piping. And this composition varies greatly from region to region.

So what does this mean for your coffee? Your water can have a major impact on your coffee's flavour and aroma profile, its mouthfeel, its crema and more - after all, a cup of coffee is 98 per cent H₂O. Exceptionally hard or soft types (i.e. with a high or low mineral content) can result in unpleasantly bitter or bland brews. And beyond matters of taste, certain water types can pose a risk to machinery. Corrosive conditions, plus limescale and other deposits, can threaten equipment, damaging delicate components and leading to costly downtime.



Achieving the ideal water composition

How can you be sure your water is suited to the task at hand – and that your machines are reliably protected? This is where BRITA comes into play. Drawing on decades of filtration experience, BRITA is one of Europe's market leaders for hot beverage filtration solutions, and a proven partner to the global specialty coffee community. Its pioneering portfolio has been successfully put to the test for a broad range of water types, from hard to soft, gypsum to scale water, and more.

As a result, BRITA knows what it takes to deliver a brilliant brew. Professional, targeted filtration is key to consistent coffee excellence. BRITA's technologies are designed to achieve outstanding results, no matter what the composition of the local water supply. The filtered water contains a balanced mix of minerals, and has the ideal hardness level for use in high-end equipment. Any unwanted elements that could negatively impact or mask aroma and taste are removed.

BRITA PROGUARD Coffee – designed for salty scenarios

BRITA's comprehensive portfolio, ranging from ion exchangers to activated carbon and particle filtration, has now been rounded out with BRITA PROGUARD Coffee, a patented solution that unites reverse osmosis (RO) and mineralisation technology. With its established PURITY and new BRITA PROGUARD products, BRITA is able to offer the perfect filtration system for excellent coffee for virtually any water conditions.

BRITA PROGUARD Coffee was made with the specific requirements of coffee machines in mind, and is ideal for water compositions with high levels of salts. Significant concentrations of chlorides and sulphates, in particular, pose a threat – corroding machinery and imbuing coffee with a disagreeable saline flavour. A reverse osmosis membrane effectively removes these substances. Moreover, innovative, adjustable mineralisation levels ensure the right composition for a great taste, and produce a pH-neutral filtrate. This leaves you to focus on what matters most: making your brew the best it can be.



What is BRITA PRO

BRITA PROGUARD Coffee is a comprehensive multi-cartridge water conditions. At its heart is a reverse osmosis (RO)

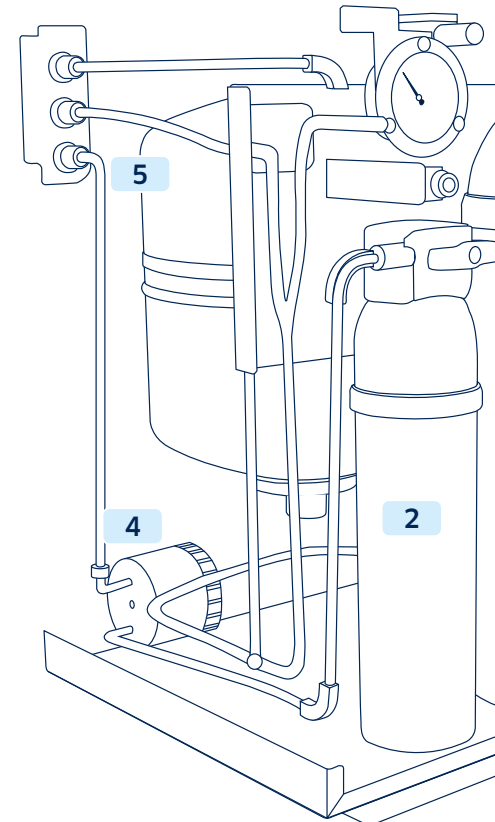
The BRITA PROGUARD Coffee

1 Pre-filtration: PURITY C

The pre-filter cartridge serves two main functions. Firstly, it safeguards the RO membrane – and, in turn, the coffee machine – by reducing particles, chlorine and various other substances. Depending on the model, it also lowers carbonate hardness, preventing limescale deposits and membrane fouling. Secondly, the pre-filter is a key part of the BRITA PROGUARD Coffee mineralisation solution. The BRITA Professional Filter Service App helps determine the right filter for each situation, and the pre-filter bypass is adjusted in line with the desired mineralisation level.

2 RO membrane: PURITY C150 PROGUARD

The reverse osmosis membrane cartridge effectively removes ions and molecules, such as salts. With a salt retention rate of over 97 % in total, it provides robust protection against corrosion, even in challenging water conditions. Moreover, RO helps prevent scale, gypsum and other deposits. In combination with the mineralisation concept, the resulting filtrate is pH-neutral – and therefore coffee machine-friendly.



3 Mineralisation: PURITY C500 MinUp

As its name suggests, this cartridge provides mineralisation by dissolving calcium to attain the desired water hardness. The cartridge also includes activated carbon to remove chlorine and other substances that can have a negative impact on flavour or aroma. This ensures a consistent water quality for delicious-tasting coffee across the life of the machine.

How does reverse osmosis work?

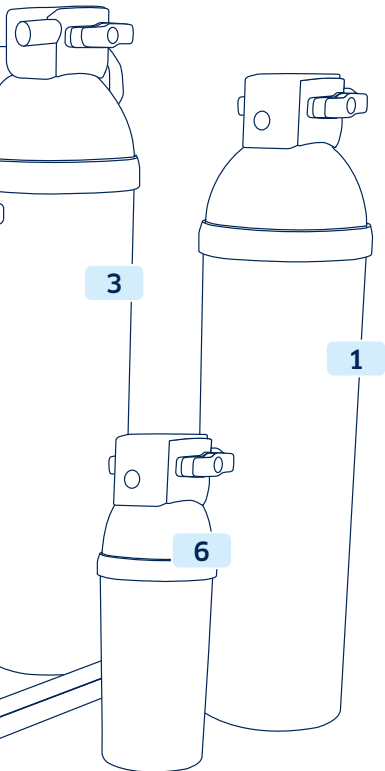
Reverse osmosis (RO) employs a semipermeable membrane to capture ions, molecules and more from water. In normal osmosis processes, water moves from the side of the membrane with a lower concentration of dissolved solids/contaminants to the side with a higher concentration. As its name suggests, reverse osmosis turns this on its head – by applying pressure to force water through the membrane to the lower-concentration side. This keeps back unwanted substances.

Although the RO process produces waste water, BRITA PROGUARD Coffee features a relatively high water conversion (recovery) factor of 45 %. The RO technology is a highly effective safeguard against corrosion: the membrane pores are minuscule, and are designed to capture tiny salt ions.

ROGUARD Coffee?

idge system – an innovative yet intuitive answer to salty
membrane, but that is not all that the system features.

offee solution comprises:



6 Post-filtration: PURITY C50 Fresh

The final step in the BRITA PROGUARD Coffee solution is the post-filtration cartridge. This activated carbon filter safeguards the great taste achieved in earlier steps. So whenever you need to start brewing, you can count on consistently outstanding water – ready to go at any time.

5 Storage tank

The storage tank ensures a supply of excellent, filtered water is readily available for the coffee machine – providing peace of mind during peak periods of demand.

4 Non-electric pump

The pump enables non-electric operation where the mains water pressure is greater than 3 bar. It isolates the RO membrane from back pressure, allowing the membrane to continue operating by means of water pressure from the mains.

vides constant, consistent mineralisation by
carbonate hardness. The mineralisation car-
technology, filtering out substances that could
oma. The result is an ideal water composition
e of the solution.

Innovative mineralisation for full flavour.

Minerals matter. They are the main source of flavour in water, and therefore play a significant role in the preparation of coffee. Too much carbonate hardness, for example, can result in scale and in flat coffee with an unstable crema. By the same token, too little can lead to a lacklustre, bland-tasting brew.

BRITA's unique mineralisation solution for BRITA PROGUARD Coffee comprises the pre-filter (ion exchanger) and mineralisation cartridges. This innovative technology allows the mineralisation level to be pre-set, achieving a filtrate with a carbonate hardness between 2-6°dH (low, medium, high) – in line with recommendations from the Specialty Coffee Association and the German Coffee Association.

The BRITA PROGUARD Coffee Advantage



Mineralisation options for superb taste

BRITA PROGUARD Coffee is designed to deliver consistently outstanding coffee, with a great aroma, flavour and appearance. Additionally, it provides flexibility for diverse water conditions and individual taste preferences by enabling up to three levels of mineralisation thanks to the BRITA TasteSystem. You can therefore tailor water to your specific needs and tastes. The level can be pre-set during installation or servicing, for an ideal balance of minerals. The carbonate hardness level is adjustable between 2-6°dH; total dissolved solids are adjustable in a range of 40-150 mg/l.



Robust protection for your machines

By combining multiple cartridges, BRITA PROGUARD Coffee reliably removes over 97 % of salts from water, produces a pH-neutral filtrate (6.5 to 7.5), and achieves an ideal carbonate hardness. The result is BRITA's robust, three-fold protection for coffee-making equipment, reliably shielding key components against corrosion, limescale and gypsum deposits. This not only extends the life of your machines, but also cuts downtime - minimising costly repairs and bolstering your bottom line.



Safe and simple installation and operation

Thanks to its pump, BRITA PROGUARD Coffee operates without electricity where there is sufficient mains water pressure. Consequently, it is more convenient and easier to use than its energy-hungry counterparts. You save electricity, and power outlets are freed up for other machinery.

BRITA PROGUARD Coffee – Filtration solution for coffee machines.



BRITA PROGUARD Coffee

| | |
|-----------------------------------|--|
| Technology | Reverse osmosis, mineralisation |
| Application | Ideal for making high-quality coffee in regions with challenging water compositions (high in chlorides, sulphates) |
| Filter sizes and capacity | 50, 300, 500, 1100, capacity varies by individual situation. Corresponding BRITA Professional Filter Service App helps determine the right filter. |
| Main benefits and differentiators | <ul style="list-style-type: none">• Protects against corrosion and associated machine breakdowns; salt retention rate of over 97 % in total• pH-neutral filtrate (6.5 to 7.5)• Non-electric operation where mains pressure is >3 bar. Should the pressure be lower, an electric booster pump can be installed.• A choice of mineralisation levels in line with specific preferences, for consistently great-tasting coffee |
| Results | Reliably excellent water quality and mineralisation for outstanding coffee |

BRITA filters should only be used with water of potable quality.



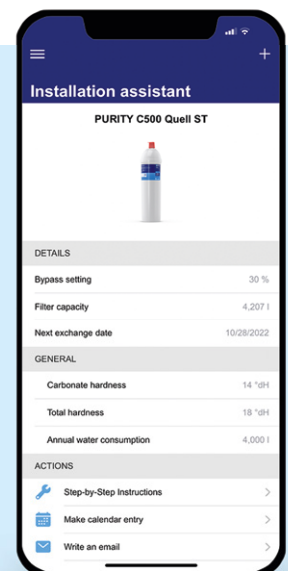
BRITA Professional Filter Service App

The Filter Service App is your ideal assistant. This unique, comprehensive tool helps determine the right type and size of filter for your precise needs. It provides detailed installation guidance for service engineers, calculates when cartridges will need replacing – and has a wealth of other, innovative capabilities.

Download for free on



Or visit <https://professional.brita.net/app>



BRITA Recycling Program



Environmental protection and recycling are part of the BRITA corporate philosophy. As early as 1992, we established a recycling programme for our filter cartridges – the first in our industry. Our plant in Taunusstein, Germany, processes cartridges from both the hospitality industry and private households.

What's in your water? BRITA can help you determine your water's composition – and tailor it to your unique needs.

For more information please contact:

BRITA Water Filter Systems Ltd.

BRITA House | 9 Granville Way | Bicester | OX26 4JT | United Kingdom

Tel.: +44 844 742-4990 | Fax: +44 186 936-5962

clientservices@brita.co.uk | www.brita.co.uk

BRITA Water Filter Systems Distributors Pty Ltd

Suite 2, Level 9, 123 Epping Road | Macquarie Park, NSW, 2113 | Australia

Tel.: +61 1300 955-021 | NZ: 0800 482-008

professional@brita.com.au | www.brita.com.au

Headquarters: BRITA GmbH

Heinrich-Hertz-Strasse 4 | 65232 Taunusstein | Germany

Tel.: +49 6128 746-0 | Fax: +49 6128 746-5033

info@brita.net | www.brita.de